



# VACUUM FILTERS

- Inline Filters For Use in Point Of Use Applications
- Easy Installation With Existing Applications
- Simple Push To Connect Fittings
- Available in 3 Body Sizes
- Available with 8 Port Sizes
- Easy Change Element
- Transparent Filter Bowl for Easy Inspection



## VFD 02 14

Series	Body Size	Tube Size Code							
		04	06	14	08	10	38	12	12N
02	02	●	●	●					
03	03		●	●	●	●	●		●
04	04					●	●	●	

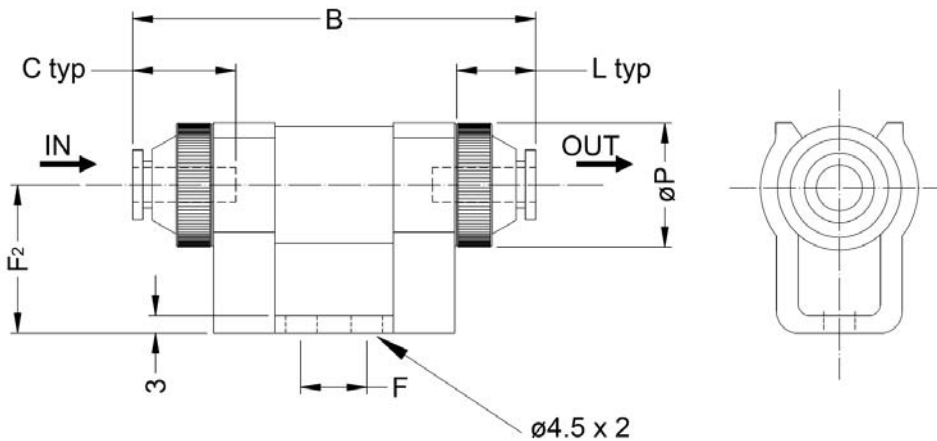
e.g VFD0214 is a 02 Body with 1/4" Push In Fittings

Specifications	
Fluid	Air
Pressure Range	0-29"Hg (0 to -100kPa)
Element Porosity	10μ
Service Temperature	32-140°F (0-60°C)

Spare Elements	
BODY	Element Part No
02	VFD02A
03	VFD03A
04	VFD04A

Model	Port Size
VFD0204	4mm (5/32")
VFD0206	6mm
VFD0214	1/4"
VFD0306	6mm
VFD0314	1/4"
VFD0308	8mm (5/16")
VFD0338	3/8"
VFD0310	10mm
VFD0438	3/8"
VFD0410	10mm
VFD0412	12mm
VFD0412N	1/2"

## DIMENSIONS (mm)



Model	B	ØP	C	L	F	F <sub>2</sub>	Filter Area cm <sup>2</sup>	Weight g/oz
VFD0204	54	18.5	14	10	10	20	7.5	25/0.9
VFD0206 & VFD0214	56		15.5	11				
VFD0306 & VFD0314	63	22.5	17	11	14	24	12.5	40/1.4
VFD0308	65			12				
VFD0338 & VFD0310	77	26.5	21	18	16	28.5	15	52/1.8
VFD0438 & VFD0410	81			16				
VFD0412 & VFD0412N	87		24	19				

- Plastic Bowl Filter
- Polyethylene Element
- Spin Off Filter Bowl
- No Tools Required For Element Change
- Seven Port Sizes
- Transparent Filter Bowl for Easy Inspection

<b>PVF</b>	<b>N</b>	<b>3</b>	
Series	Thread Type	Code	Port Size
	G BSPP	1	1/8
	N NPT	2	1/4
		3	3/8
		4	1/2
		6	3/4
		8	1
		15	1-1/2



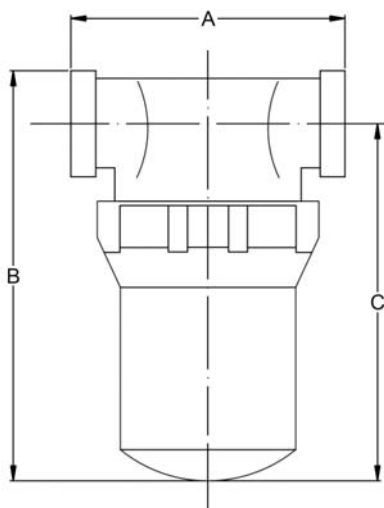
Fluid Media	Air
Pressure	6bar/150psi
Vacuum	0 to -100kPa/0-29"Hg
Element Porosity	10μ
Service Temperature	0-60°C/32-140°F

## SPECIFICATIONS

Filter Model	Weight g/oz	Flow SCFM	Volume in <sup>3</sup>	Filter Area in <sup>2</sup>
PVF-N1	48/1.7	3	2.1	5
PVF-N2	56/2	4.2	2.4	
PVF-N3	70/2.5	5.4	2.7	
PVF-N4	184/6.5	31	11.9	16
PVF-N6		31	12.5	
PVF-N8	425/15	89	30	30
PVF-N15	540/19	180	41	35

Spare Elements	
Filter Model	Element Part No
1/8	PVFE375
1/4	
3/8	
1/2	PVFE75
3/4	
1	PVFE10
1.5	PVFE15

## DIMENSIONS (mm)



Filter Model	A	B	C
PVF-N1	75	68	50
PVF-N2			
PVF-N3			
PVF-N4	91	136	119
PVF-N6			
PVF-N8	125	163	141
PVF-N15	129	206	175



- Heavy Duty Vacuum Filter
- Welded Steel Plate Painted Construction
- Easy Removal of Lid for Element Replacement
- Available in both BSPP and NPT Threads
- Paper and Polyester Element Options
- Can be Installed Upright or at 90°



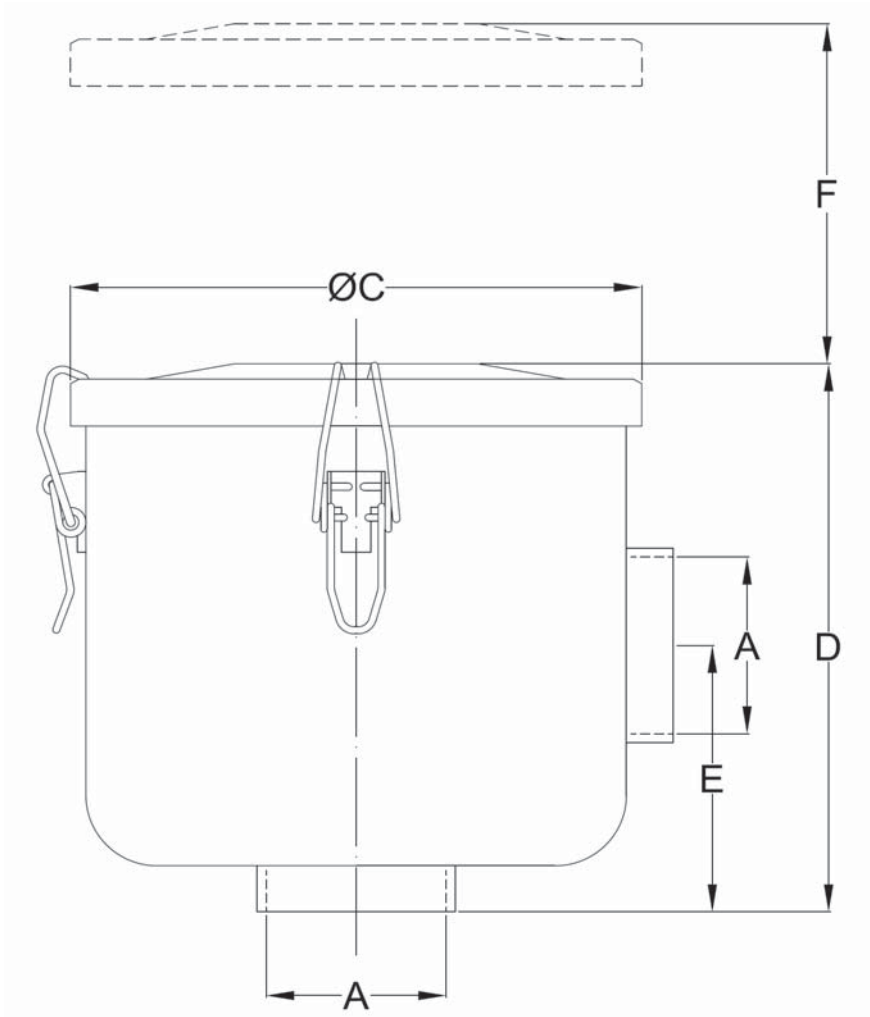
<b>F</b>	-	<b>N</b>	<b>12</b>	<b>P</b>		
Series	Thread Type		Code	Port Size	Element	
	G	BSPP	3	3/8	P	Paper
	N	NPT	4	1/2	PET	Polyester
			6	3/4		
			10	1 1/4		
			10L	1 1/4		
			12	1 1/2		
			16	2		
			20	2 1/2		
			24	3		
			32	4		

SPECIFICATIONS	
Pressure Range	0 to -100kPa (0-29.92" Hg)
Materials	Plated Steel (painted)
Temperature Range	-20°C to 100°C (-4°F to 212°F)
Filtration Efficiency	Paper >5μ
	Polyester >10μ

*Part Number Example F-N10P*  
*F Series Filter with 1 1/4NPT Ports and Paper Element*

Model	Port Size	Flow Rate m <sup>3</sup> /hr (CFM)	Spare Paper Element	Spare Polyester Element
F-*4*	1/2	32 (19)		
F-*6*	3/4	42 (25)		
F-*10*	1 1/4	100 (59)		
F-*10L*	1 1/4	120 (71)		
F-*12*	1 1/2	150 (88)		
F-*16*	2	300 (177)		
F-*20*	2 1/2	360 (212)		
F-*24*	3	510 (300)		
F-*32*	4	800 (471)		

## DIMENSIONS (mm)



Model	Port A	ØC	D	E	F
F-*4*	1/2	101	90	53	70
F-*6*	3/4	101	90	53	70
F-*10*	1 1/4	146	110	70	75
F-*10L*	1 1/4	185	170	115	130
F-*12*	1 1/2	185	170	115	130
F-*16*	2	222	258	125	240
F-*20*	2 1/2	222	258	125	240
F-*24*	3	285	235	135	170
F-*32*	4	285	235	135	170