

## TMN SERIES with Color Bands

Easy to read color bands and micrometer knob for exact flow settings

Designed for extremely precise control of air and hydraulic fluids

Maximum pressure 2000 psi - Brass

Maximum pressure 5000 psi - Steel

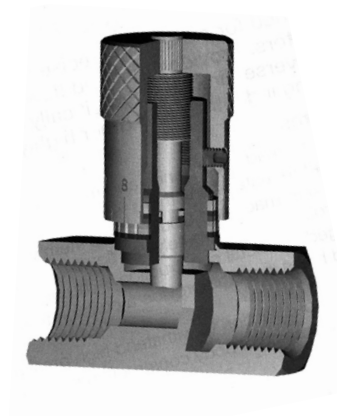
Re-set repeatability within 1%

### Brass Body

Size	Model
1/8"	TMN -125 B
1/4"	TMN - 250 B
3/8"	TMN - 375 B
1/2"	TMN - 500 B

### Steel Body

Size	Model
1/4"	TMN - 250 S
3/8"	TMN - 375 S
1/2"	TMN - 500 S
3/4"	TMN - 750 S
1"	TMN -1000 S



## KLN SERIES

Designed for the precise control of air and hydraulic fluids

Maximum pressure 2000 psi

### Brass Body

Size	Model
1/8"	KLN -125 B
1/4"	KLN - 250 B
3/8"	KLN - 375 B
1/2"	KLN - 500 B
3/4"	KLN - 750 B



# Needle Valves

# Code A

## 2000 Series for fine metering and shut off

Designed for use with air, oil, water, steam, liquid fuels and most chemicals.

Heavy duty brazed construction for added strength and safety up to 10,000 psi.

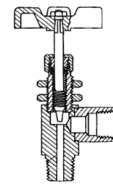
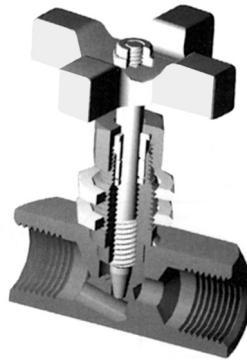
Precision-machined stems and valve bodies provide perfect seat alignment for leak-free shut-off.

Carbon steel valves are zinc plated and sealed with black chromate for double corrosion protection.

Maximum pressure – 10,000 psi Hydraulic or 2,000 psi Air

### Carbon Steel Body

Model	Size
FFG2002T	1/4"
FFG2003T	3/8"
FFG2004T	1/2"



### Stainless Steel Body

Model	Size
FFG2002SST	1/4"
FFG2003SST	3/8"
FFG2004SST	1/2"

### Carbon Steel Body -Right Angle

Model	Size M x F
MFA 2002T	1/4"
MFA 2003T	3/8"
MFA 2004T	1/2"

## Test Bench & Control Panel Needle Valve

Ideal for test bench and control panels

Designed for air, water, vacuum service and most chemicals

Brass Body

Female - Female

2000 psi

Model	Size
NV-25	1/4"



## Gate Valve

Brass Body

Maximum pressure 200 psi

Model	Size
GV-4	1/2"
GV-6	3/4"
GV-8	1"
GV-10	1 1/4"
GV-12	1 1/2"
GV-16	2"



## TMF Series with Colour Bands

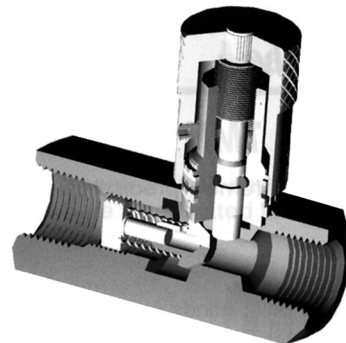
Easy to read color bands and micrometer knob for exact flow settings  
Designed for extremely precise control of hydraulic and pneumatic actuators.  
Provides metered flow in one direction and free-flow in the reverse direction  
Re-Set repeatability within 1%.  
Maximum pressure 2000 psi - Brass  
Maximum pressure 5000 psi - Steel  
Temperature - 20°F to 400°  
Cracking pressure 2 PSI

### Brass Body

Model	Size
TMF- 125 B	1/8"
TMF- 250 B	1/4"
TMF- 375 B	3/8"
TMF- 500 B	1/2"
TMF- 750 B	3/4"

### Steel Body

Model	Size
TMF- 250 S	1/4"
TMF- 375 S	3/8"
TMF- 500 S	1/2"
TMF- 750 S	3/4"
TMF-1000 S	1"

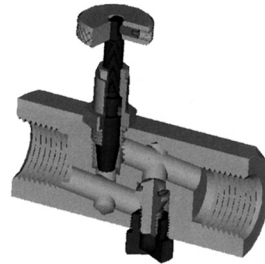


## KLF Series

Designed for the precise control of hydraulic and pneumatic actuator  
Provides meter flow in one direction and free-flow in the reverse direction.  
Maximum pressure 2000 psi.  
Temperature - 20°F to 212°F

### Brass Body

Model	Size
KLF -125 B	1/8"
KLF- 250 B	1/4"
KLF -375 B	3/8"
KLF -500 B	1/2"
KLF -750 B	3/4"
KLF -1000 B	1"



## S400 Series

S 400 Flow Control  
Provides metered flow in one direction and free flow  
in the reverse direction.  
Maximum pressure 200 psi  
Zinc diecast body

Model	Size
S 400-02	1/4"
S 400-03	3/8"
S 400-04	1/2"

