

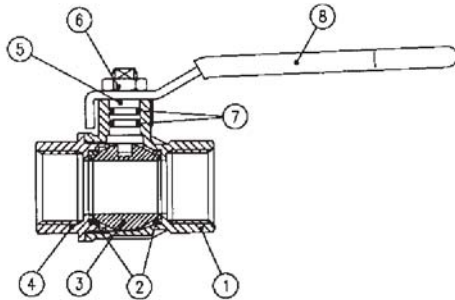
Low Pressure Ball Valve

S95 NPT Series

Ball valves - Full Port 1/4" - 4" Hot Forged Brass



Features



- 1 - S95 Unplated NPT body
- 2 - Seat 00-84
- 3 - Chrome plated ball
- 4 - S92 unplated NPT end cap
- 5 - Nickel plated stem O-ring design
- 6 - Nut
- 7 - Green O-ring
- 8 - Yellow steel handle

Options (up to 2" size)

- ◆ Stem extension
- ◆ T-handle for valves up to 1"
- ◆ Round handle
- ◆ Patented locking device
- ◆ AISI 430 stainless steel handle

- ◆ AISI 316 stainless steel ball and/or stem
- ◆ Filled glass PTFE seals
- ◆ Custom design

Note:

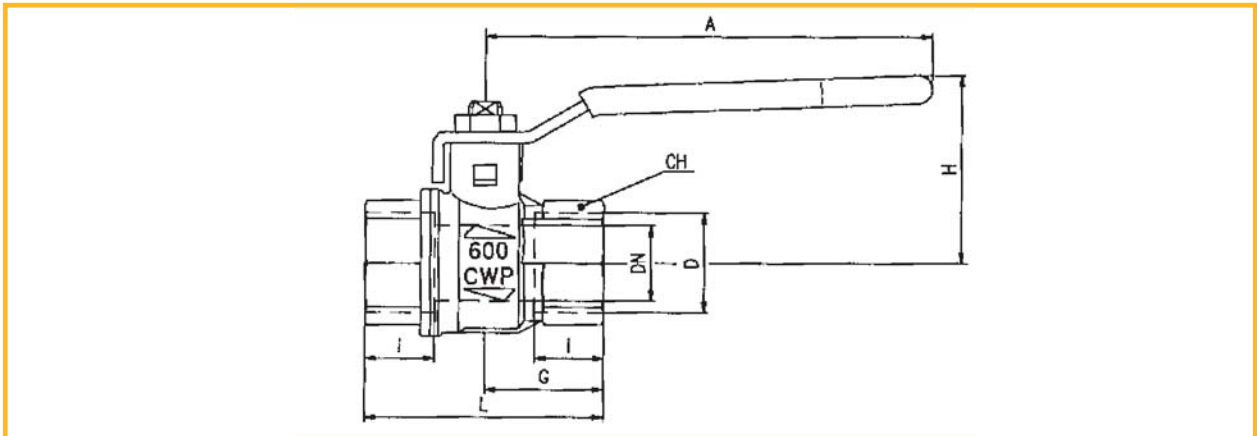
Approvals apply to specific configurations only

Specifications:

- ◆ Hot forged, unplated brass body to DIN 17660 and UNI 5705-65 specifications
- ◆ Approved in sizes up to 4" by American gas association (AGA), Canadian gas association (CGA)
Approved in sizes up to 2" by Underwriters Laboratories (UL), Canadian Underwriters Laboratories (CUL), Factory Mutual (FM), IAPMO (UPC) and meeting WW-V-35C Federal U.S. Specifications up to 4".
- ◆ Full port for maximum flow
- ◆ Seals tested to guarantee zero leakage
- ◆ Teflon® self-lubricating seats with flexible-lip design
- ◆ Double seal system permits flow in both directions
- ◆ Chrome plated brass ball for longer life
- ◆ No metal-to-metal moving parts
- ◆ Blowout-proof nickel plated brass stem
- ◆ Two Viton O-rings at the stem for maximum safety
- ◆ No Maintenance required
- ◆ Handle stops on body to avoid stresses at valve stem
- ◆ Removable carbon steel handle with PVC coating
- ◆ Handle clearly indicates flow direction
- ◆ NPT taper ANSI B.1.20.1 female port threads
- ◆ Silicone-free lubricant on all seals
- ◆ Max. non-shock cold working pressure:
600 psi for valves up to 2",
450 psi for valves over 2"
- ◆ Temperature range: -40°F to +350°F

Hydraulic Valves

Dimensions



Valve Size												
		1/4"	3/8"	1/2"	3/4"	1"	1-1/4"	1-1/2"	2"	2-1/2"	3"	4"
D		1/4NPT	3/8NPT	1/2NPT	3/4NPT	1NPT	1-1/4NPT	1-1/2NPT	2NPT	2-1/2NPT	3NPT	4NPT
DN	IN.	0.31	0.39	0.59	0.79	0.98	1.26	1.57	1.97	2.56	3.15	3.94
	MM	8.0	10.0	15.0	20.0	25.0	32.0	40.0	50.0	65.0	80.0	100.0
I	IN.	0.47	0.47	0.61	0.67	0.83	0.91	0.91	1.04	1.26	1.38	1.63
	MM	12.0	12.0	15.5	17.0	21.0	23.0	23.0	26.5	32.0	35.0	41.5
L	IN.	1.77	1.77	2.32	2.52	3.19	3.66	4.02	4.76	6.14	6.97	8.50
	MM	45.0	45.0	59.0	64.0	81.0	93.0	102.0	121.0	156.0	177.0	216.0
G	IN.	0.89	0.89	1.16	1.26	1.59	1.83	2.01	2.38	3.07	3.48	4.25
	MM	22.5	22.5	29.5	32.0	40.5	46.5	51.0	60.5	78.0	88.5	108.0
A	IN.	3.23	3.23	3.94	4.72	4.72	6.22	6.22	6.22	10.04	10.04	10.04
	MM	82.0	82.0	100.0	120.0	120.0	158.0	158.0	158.0	255.0	255.0	255.0
H	IN.	1.50	1.50	1.69	1.97	2.13	2.87	3.11	3.39	5.20	5.51	6.06
	MM	38.0	38.0	43.0	50.0	54.0	73.0	79.0	86.0	132.0	140.0	154.0

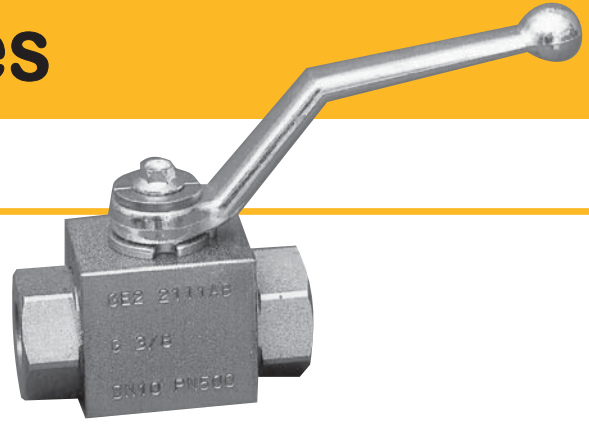
Ordering Information

S95	B41	NPT														
Product Type	Valve Size	Threads														
S95 Ball Valve Low Pressure	<table border="1"> <tr> <td>B41 1/4"</td> <td>F41 1"</td> <td>L41 2 1/2"</td> </tr> <tr> <td>C41 3/8"</td> <td>G41 1 1/4"</td> <td>M41 3"</td> </tr> <tr> <td>D41 1/2"</td> <td>H41 1 1/2"</td> <td>N41 4"</td> </tr> <tr> <td>E41 3/4"</td> <td>I41 2"</td> <td></td> </tr> </table>	B41 1/4"	F41 1"	L41 2 1/2"	C41 3/8"	G41 1 1/4"	M41 3"	D41 1/2"	H41 1 1/2"	N41 4"	E41 3/4"	I41 2"		<table border="1"> <tr> <td>NPT</td> </tr> <tr> <td>SAE (special order)</td> </tr> </table>	NPT	SAE (special order)
B41 1/4"	F41 1"	L41 2 1/2"														
C41 3/8"	G41 1 1/4"	M41 3"														
D41 1/2"	H41 1 1/2"	N41 4"														
E41 3/4"	I41 2"															
NPT																
SAE (special order)																

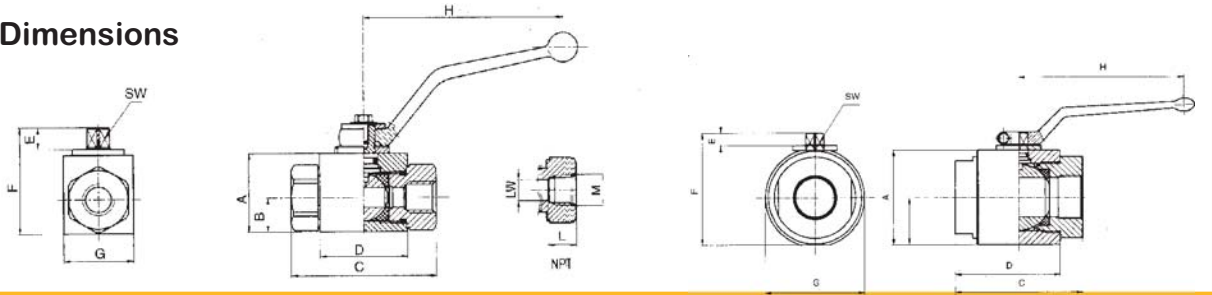
2 Way Ball Valves

Specifications

- ◆ Body Steel
- ◆ Ball Steel
- ◆ Temperature Range -14°F - 212°F
- ◆ Ball Seals Delrin
- ◆ Shaft Seals Buna N



Dimensions



Model	Size	A	B	C	D	E	F	G	H	L	M	SW	LW
Full Bore	1/4"	1.38"	0.55"	2.80"	1.65"	0.43"	1.93"	1.18"	4.33"	0.63"	1/4"	0.35"	0.24"
	3/8"	1.57"	0.67"	2.87"	1.73"	0.43"	2.13"	1.38"	4.33"	0.63"	3/8"	0.35"	0.39"
	1/2"	1.69"	0.71"	3.27"	1.89"	0.43"	2.24"	1.46"	4.33"	0.67"	1/2"	0.35"	0.51"
	3/4"	2.17"	0.91"	3.74"	2.44"	0.51"	2.87"	1.77"	7.09"	0.87"	3/4"	0.55"	0.79"
	1"	2.56"	1.42"	4.45"	2.60"	0.51"	3.27"	2.17"	7.09"	0.98"	1"	0.55"	0.98"
Reduced Bore	1-1/4"	2.56"	1.42"	4.76"	2.60"	0.51"	3.27"	2.17"	7.09"	0.98"	1-1/4"	0.55"	0.98"
	1-1/2"	2.56"	1.42"	4.76"	2.60"	0.51"	3.27"	2.17"	7.09"	0.98"	1-1/2"	0.55"	0.98"
Full Bore	1-1/4"	3.31"	1.65"	4.53"	3.74"	0.53"	3.98"	3.31"	7.09"	0.94"	1-1/4"	0.55"	1.26"
	1-1/2"	3.86"	1.89"	5.16"	4.25"	0.53"	4.53"	4.01"	7.09"	1.06"	1-1/2"	0.55"	1.58"
	2"	4.06"	2.03"	5.51"	4.53"	0.53"	4.72"	4.25"	7.09"	1.10"	2"	0.55"	1.97"

Ordering Information

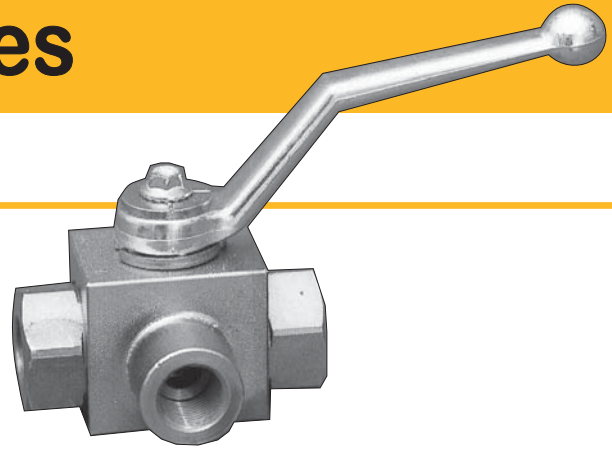
Model	Part #	Ports	Part #	Ports	Working Pressure	Weight	Locking Kit Part #
Full Bore	GE2 N 1/4"	1/4" NPT	GE2 SAE4	SAE-4	7250 PSI	1.00 lb	GE-LK-6
	GE2 N 3/8"	3/8" NPT	GE2 SAE6	SAE-6	7250 PSI	1.25 lb	GE-LK-6
	GE2 N 1/2"	1/2" NPT	GE2 SAE8	SAE-8	7250 PSI	1.61 lb	GE-LK-6
	GE2 N 3/4"	3/4" NPT	GE2 SAE12	SAE-12	5800 PSI	3.00 lb	GE-LK-20
	GE2 N 1"	1" NPT	GE2 SAE16	SAE-16	5075 PSI	4.80 lb	GE-LK-20
Reduced Bore	GE2 N 1-1/4" R	1-1/4" NPT	GE2 SAE20	SAE-20	5075 PSI	5.25 lb	GE-LK-20
	GE2 N 1-1/2" R	1-1/2" NPT	GE2 SAE24	SAE-24	5075 PSI	5.25 lb	GE-LK-20
Full Bore	GB2 N 1-1/4"	1-1/4" NPT	GB2 SAE20	SAE-20	5075 PSI	8.25 lb	GB-LK
	GB2 N 1-1/2"	1-1/2" NPT	GB2 SAE24	SAE-24	5075 PSI	12.75 lb	GB-LK
	GB2 N 2"	2" NPT	GB2 SAE32	SAE-32	5075 PSI	14.25 lb	GB-LK

Many other options available. Please consult MP Filtri (Canada) Inc.

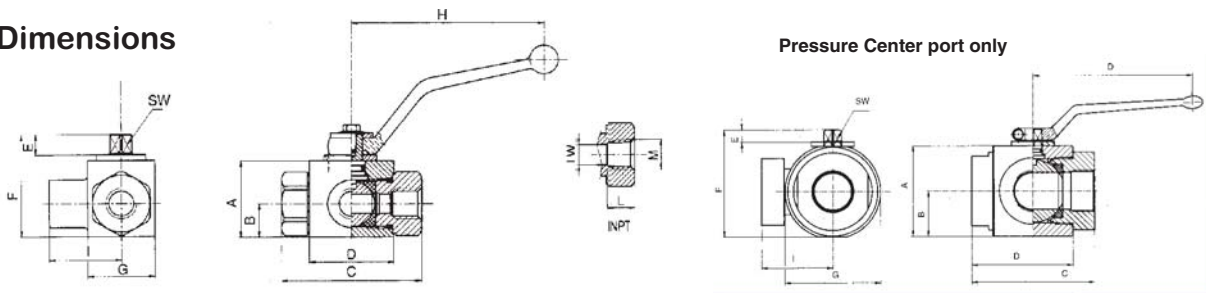
3 Way Ball Valves

Specifications

- ◆ Body Steel
- ◆ Ball Steel
- ◆ Temperature Range -14°F - 212°F
- ◆ Ball Seals Delrin
- ◆ Shaft Seals Buna N
- ◆ L-Ported diverter valve



Dimensions

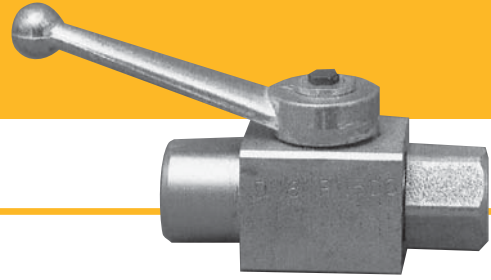


Model	Size	A	B	C	D	E	F	G	H	I	L	M	SW	LW
Full Bore	1/4"	1.38"	0.55"	2.80"	1.65"	0.43"	1.93"	1.18"	4.33"	1.32"	0.63"	1/4"	0.35"	0.24"
	3/8"	1.57"	0.67"	2.87"	1.73"	0.43"	2.13"	1.38"	4.33"	1.46"	0.63"	3/8"	0.35"	0.39"
	1/2"	1.69"	0.71"	3.27"	1.89"	0.43"	2.24"	1.46"	4.33"	1.57"	0.67"	1/2"	0.35"	0.51"
	3/4"	2.17"	0.91"	3.74"	2.44"	0.51"	2.87"	1.77"	7.09"	2.04"	0.87"	3/4"	0.55"	0.79"
	1"	2.56"	1.42"	4.45"	2.60"	0.51"	3.27"	2.17"	7.09"	2.32"	0.98"	1"	0.55"	0.98"
Reduced Bore	1-1/4"	2.56"	1.42"	4.76"	2.60"	0.51"	3.27"	2.17"	7.09"	2.42"	0.98"	1-1/4"	0.55"	0.98"
Full Bore	1-1/4"	3.31"	1.65"	4.53"	3.74"	0.53"	3.98"	3.31"	7.09"	2.83"	0.94"	1-1/4"	0.55"	1.26"
	1-1/2"	3.86"	1.89"	5.16"	4.25"	0.53"	4.53"	4.02"	7.09"	3.19"	1.06"	1-1/2"	0.55"	1.58"
	2"	4.05"	2.03"	5.51"	4.53"	0.53"	4.72"	4.25"	7.09"	3.35"	1.10"	2"	0.55"	1.89"

Ordering Information

Model	Part #	Ports	Part #	Ports	Working Pressure	Weight	Locking Kit Part #
Full Bore	GE3 N 1/4"	1/4" NPT	GE3 SAE4	SAE-4	5800 PSI	1.00 lb	GE-LK-6
	GE3 N 3/8"	3/8" NPT	GE3 SAE6	SAE-6	5800 PSI	1.25 lb	GE-LK-6
	GE3 N 1/2"	1/2" NPT	GE3 SAE8	SAE-8	5075 PSI	1.61 lb	GE-LK-6
	GE3 N 3/4"	3/4" NPT	GE3 SAE12	SAE-12	5075 PSI	3.00 lb	GE-LK-20
	GE3 N 1"	1" NPT	GE3 SAE16	SAE-16	5075 PSI	4.80 lb	GE-LK-20
Reduced Bore	GE3 N 1-1/4" R	1-1/4" NPT	GE3 SAE20	SAE-20	5075 PSI	5.25 lb	GE-LK-20
Full Bore	GB3 N 1-1/4"	1-1/4" NPT	N/A	N/A	5075 PSI	8.25 lb	GB-LK
	GB3 N 1-1/2"	1-1/2" NPT	N/A	N/A	5075 PSI	12.75 lb	GB-LK
	GB3 N 2"	2" NPT	N/A	N/A	5075 PSI	14.25 lb	GB-LK

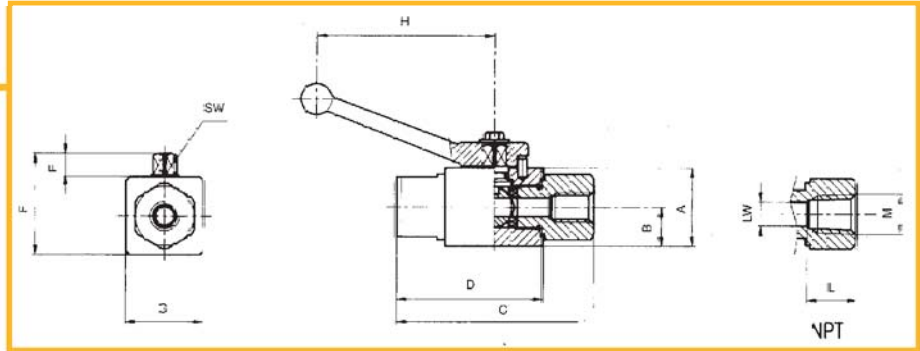
Mini Ball Valves



Specifications

- ◆ Body Steel
- ◆ Ball Nickel Plated Steel
- ◆ Temperature Range Between -14°F + 212°F
- ◆ Ball Seals Delrin
- ◆ Shaft Seals Buna N

Dimensions

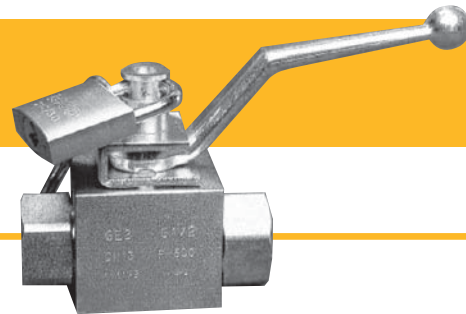


Part #	A	B	C	D	E	F	G	H	L	M	SW	LW
GEM 1/4" NPT 1111AB	0.98"	0.49"	2.48"	1.85"	0.27"	1.26"	0.98"	2.24"	0.67"	1/4"NPT	0.24"	0.24"
GEM 1/4" SAE 1111AB	0.98"	0.49"	2.48"	1.85"	0.27"	1.26"	0.98"	2.24"	0.67"	SAE-4	0.24"	0.24"

Ordering Information

Part #	Ports	Working Pressure	Weight
GEM 1/4" NPT 1111AB	1/4" NPT	7250 PSI	0.50 lb
GEM 1/4" SAE 1111AB	SAE-4	7250 PSI	0.50 lb

Locking Kits



Specifications

- ◆ New design allows for increased security.
- ◆ Kits are field installable.
- ◆ Constructed of zinc plated carbon steel

Ordering Info.

If ordering factory installed add -LK to the end of the ball valve # i.e.: GE2-N-1/4"-LK

Value Size	Kit #
1/4"-1/2"	GE-LK-6
3/4"-1 1/2" reduced bore	GE-LK-20
1 1/2"-2" full bore	GB-LK

