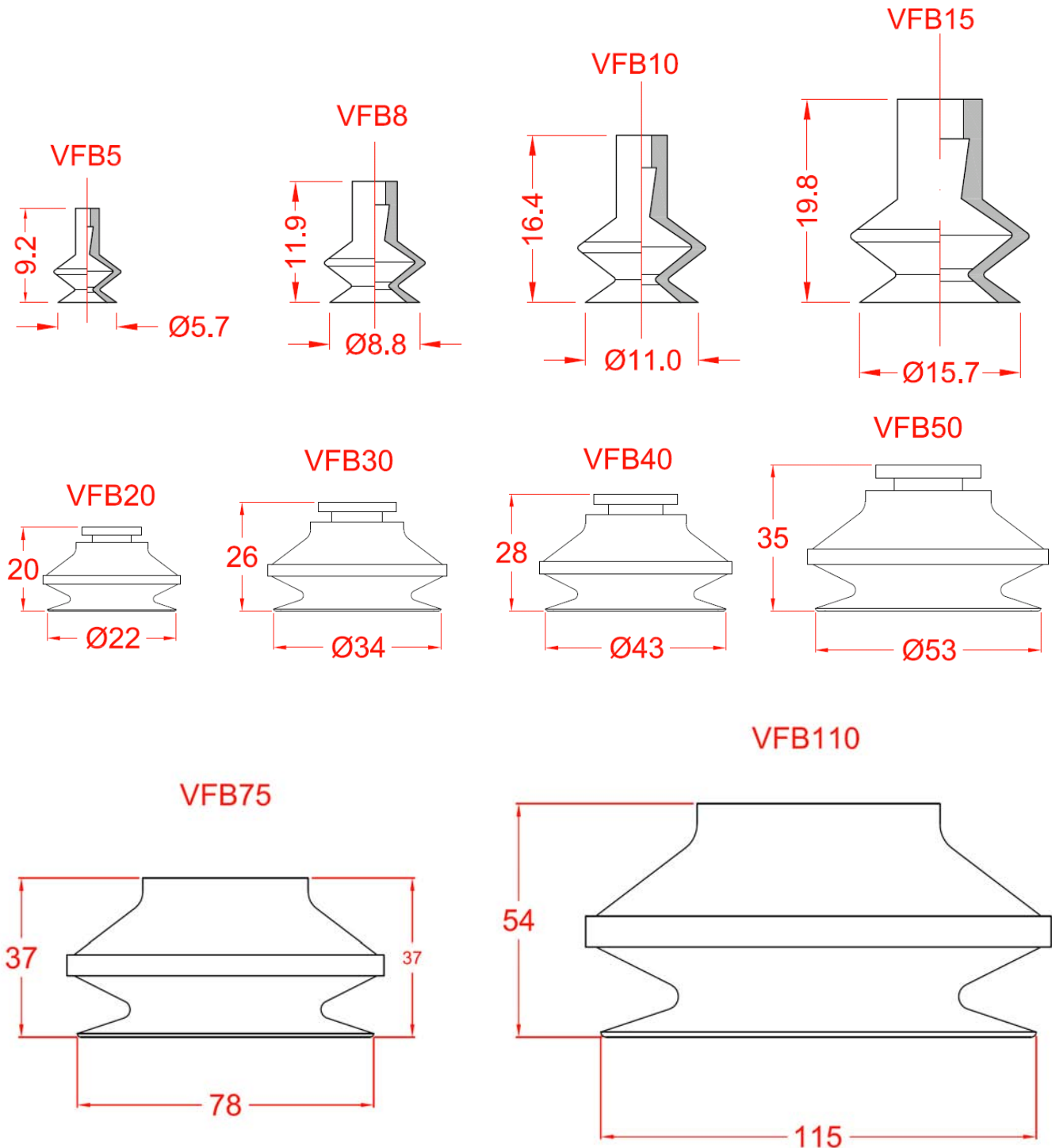


The Vacuforce VFB series of vacuum cups are designed to offer the vacuum user a simple and effective generic style cup. The cup can be connected to the machinery using the fitting shown on the following page. These cups are available in both Nitrile and Silicone rubber with a 60 and 40 Durometer hardness respectively.

Part Number Matrix		
Series	Size	Material
VFB	40	N or S

Material Codes	
N	Nitrile Rubber
S	Silicone Rubber

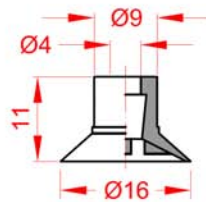


The Vacuforce VFF series of vacuum cups are a generic style flat cup. The cup can be connected to the machinery using the fittings shown on the following page. These cups are available in both Nitrile and Silicone rubber with a 60 and 40 Durometer hardness respectively.

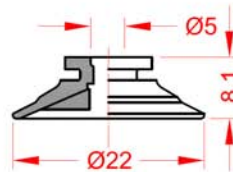
Part Number Matrix			Material Codes	
Series	Size	Material	N	Nitrile Rubber
VFF	40	N or S	S	Silicone Rubber

e.g VFF40N

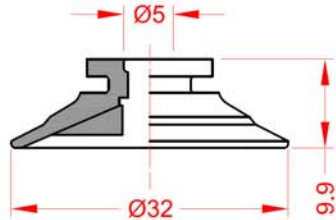
VFF15



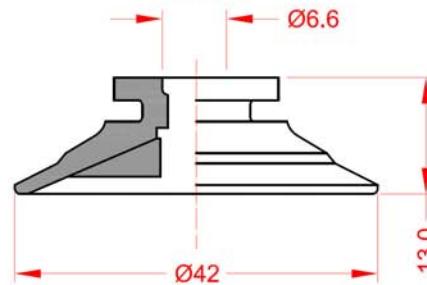
VFF20



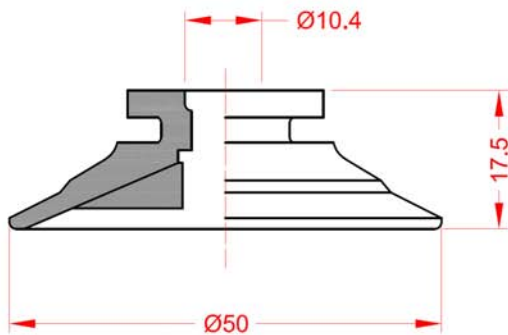
VFF30



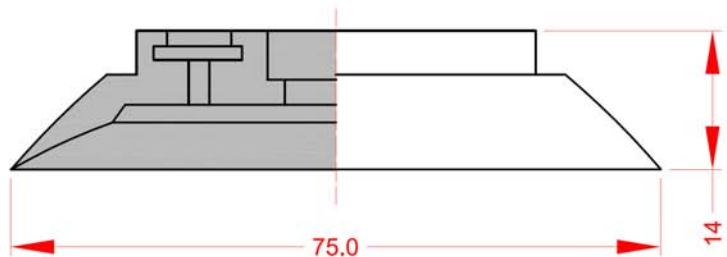
VFF40



VFF50



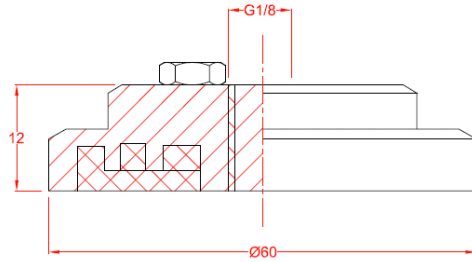
VFF75



Fitting Model	Fits Cup Model	Fitting Model	Fits Cup Model
<p>V-01AB</p>	VFB5	<p>VFCF40-1/4U</p>	<p>VFB30</p> <p>VFB40</p> <p>VFF40</p>
<p>VF0008061.5</p>	<p>VFB10</p> <p>VFB15</p> <p>VFF15</p>	<p>VFCF50-1/8U</p>	<p>VFB50</p> <p>VFF50</p>
<p>VFCF20-1/8U</p>	<p>VFB20</p> <p>VFF20</p> <p>VFF30</p>	<p>VFCF50-1/4U</p>	<p>VFB50</p> <p>VFF50</p>
<p>VFCF40-1/8U</p>	<p>VFB30</p> <p>VFB40</p> <p>VFF40</p>		

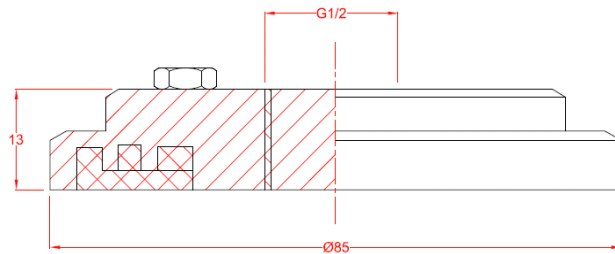
Fitting Model	Fits Cup Model
---------------	----------------

VFCFB75-1/8



VFB75

VFCFB110-1/2

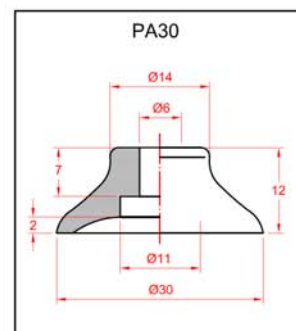
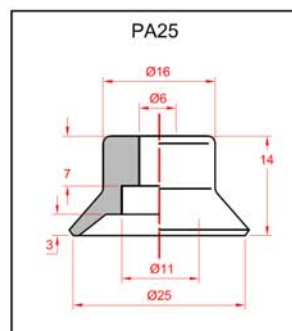
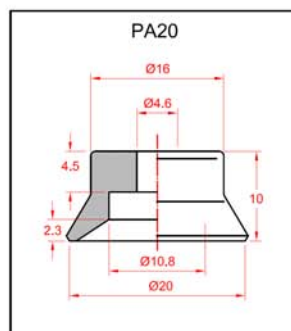
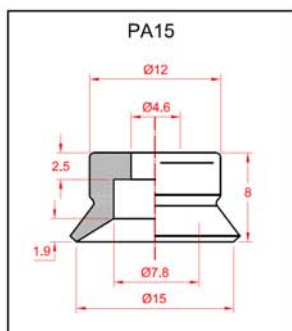
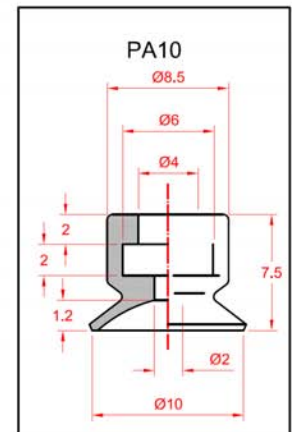
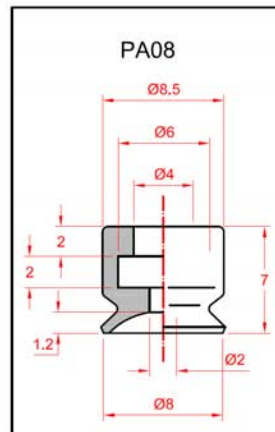
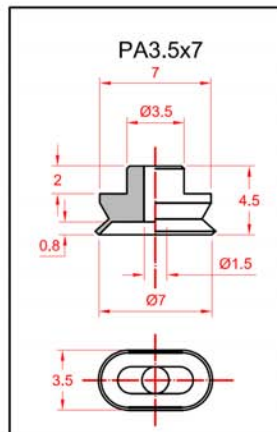
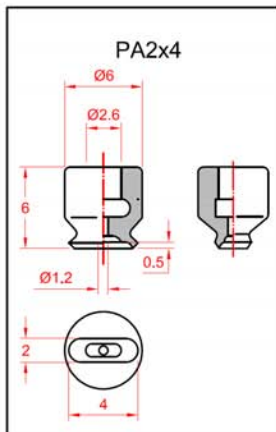
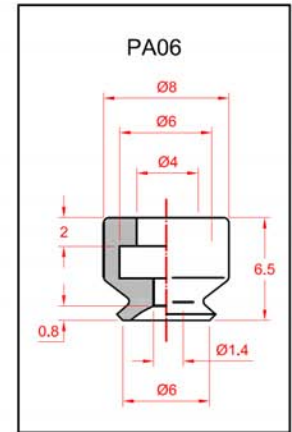
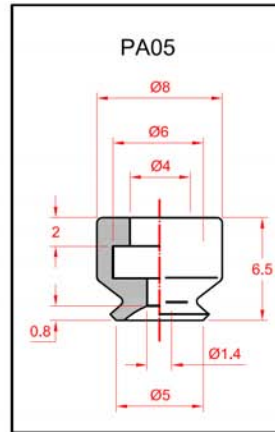
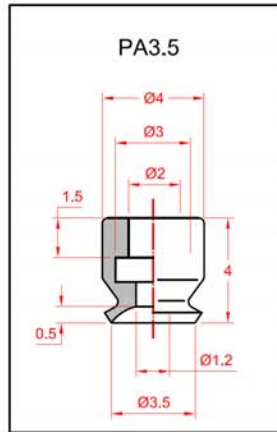
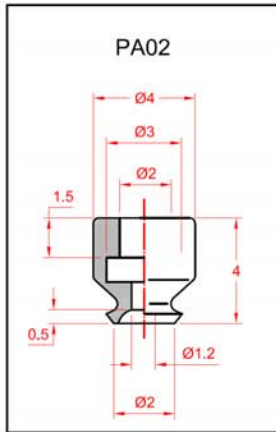


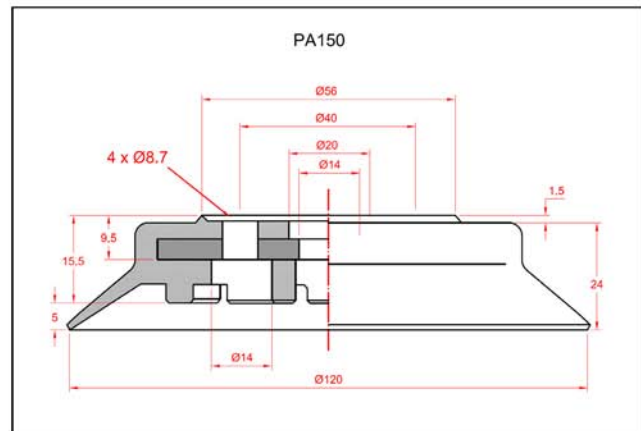
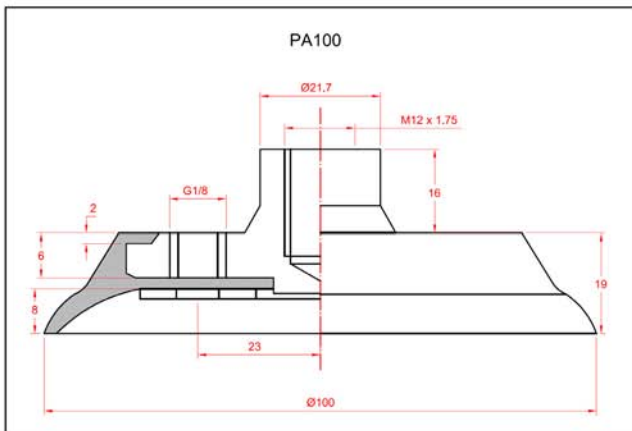
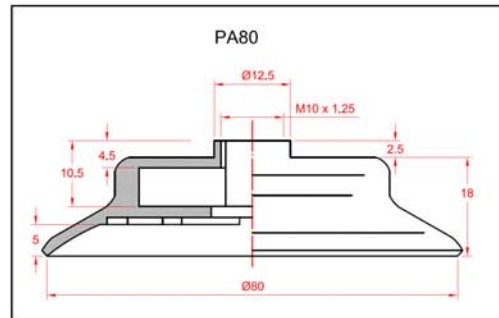
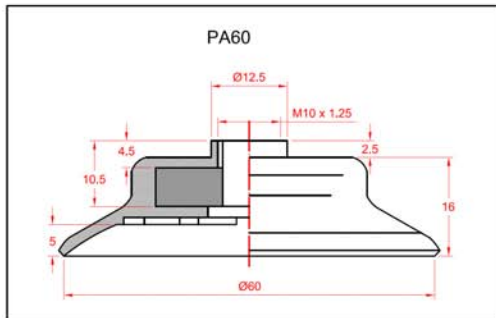
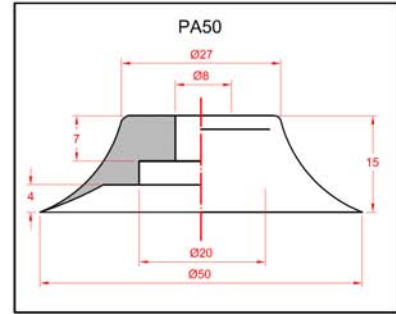
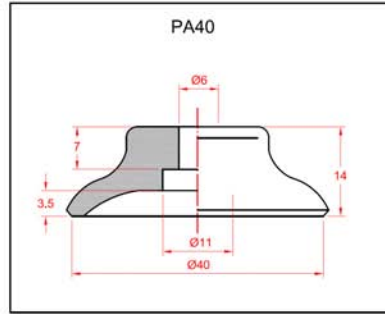
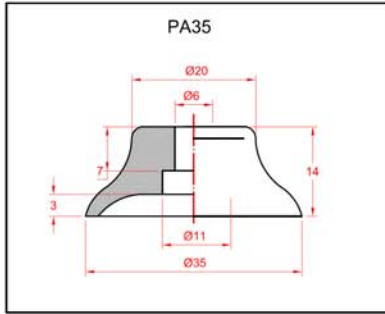
VFB110

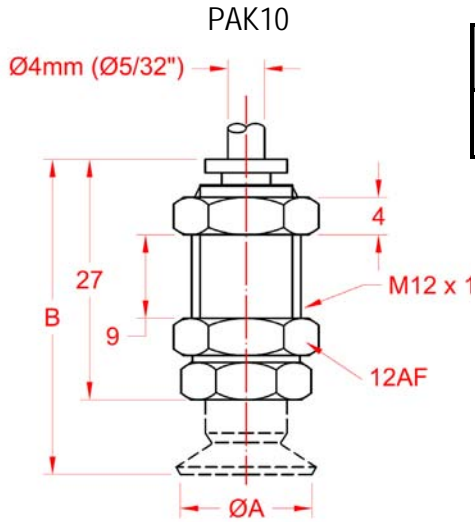
The Vacuforce PA series of vacuum cups are a generic flat style cup similar in design to the Convum PFG series. The cup can be connected to the machinery using simple fittings, bulkhead assemblies or sprung level compensators. These cups are available in both Nitrile and Silicone rubber with a 60 and 40 Durometer hardness

Part Number Matrix		
Series	Size	Material
PA	40	N or S

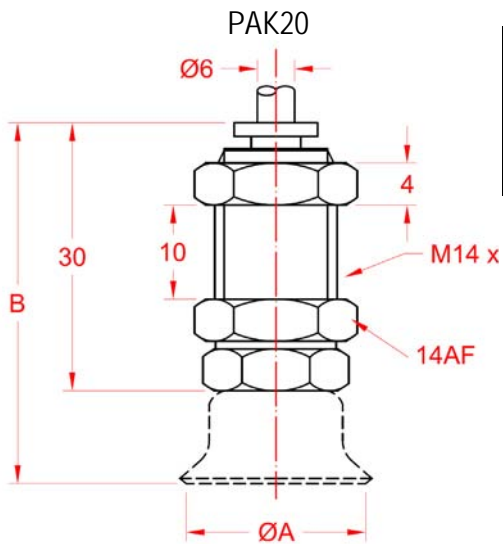
Material Codes	
N	Nitrile Rubber
S	Silicone Rubber



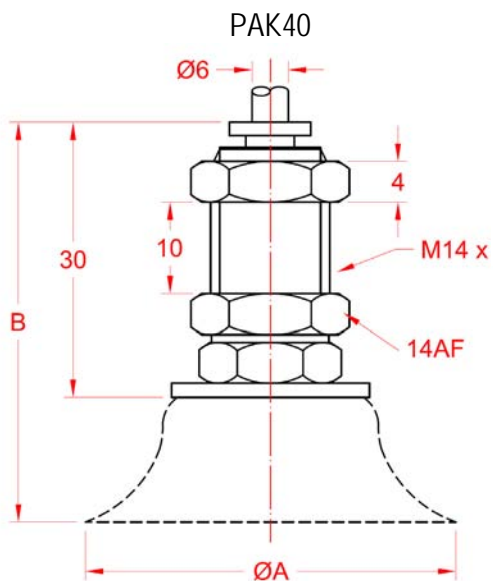




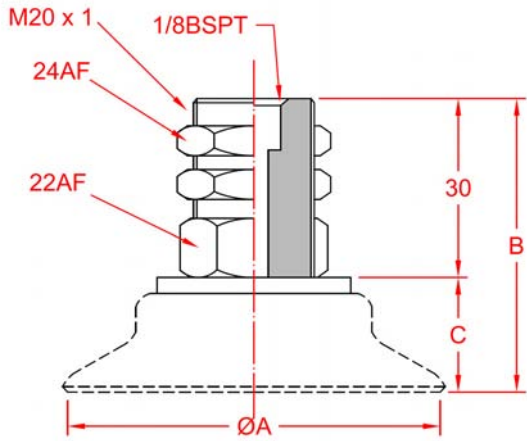
Model Number	Cup Model	ØA	B	Vacuum Connection
PAK10	PA10	10	34	Ø4mm OD Tube
	PA15	15	34.5	



Model Number	Cup Model	ØA	B	Vacuum Connection
PAK20	PA20	20	38	Ø6mm OD Tube
	PA25	25	42	
	PA30	30	40	

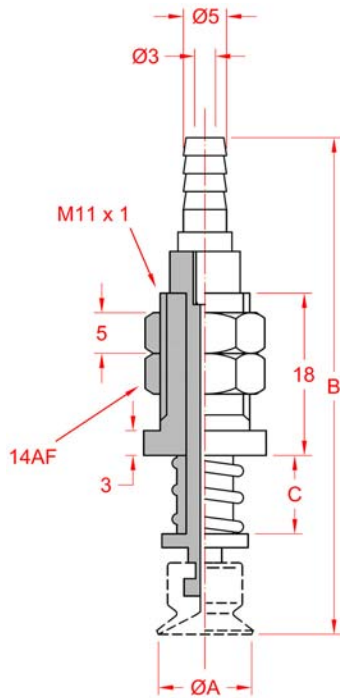


Model Number	Cup Model	ØA	B	Vacuum Connection
PAK40	PA40	40	44	Ø6mm OD Tube
	PA50	50	45	



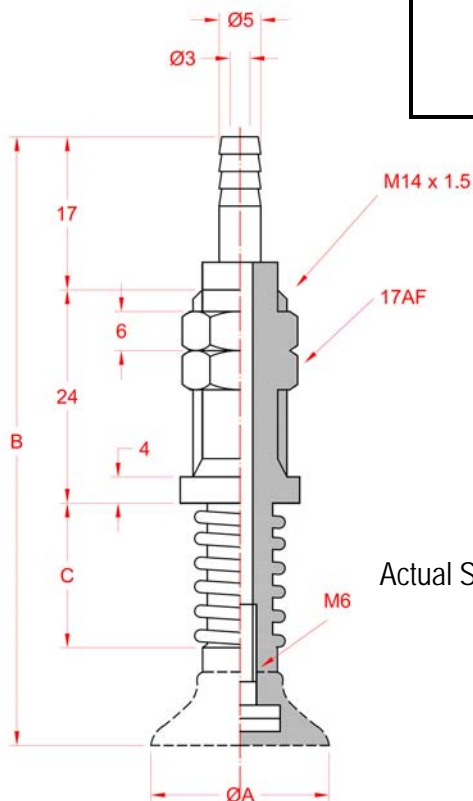
Model Number	Cup Model	ØA	B	C	Vacuum Connection
PAK60	PA60	60	49	19	1/8BSPT
	PA80	80	51	21	





Model Number	Cup Model	ØA	B	C	Vacuum Connection
PAFS10	PA10	10	69	20	Ø4mm OD Tube
	PA15	15	66	20	

Actual Stroke – 10mm



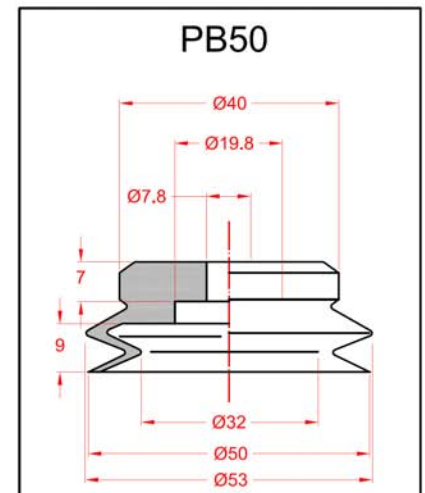
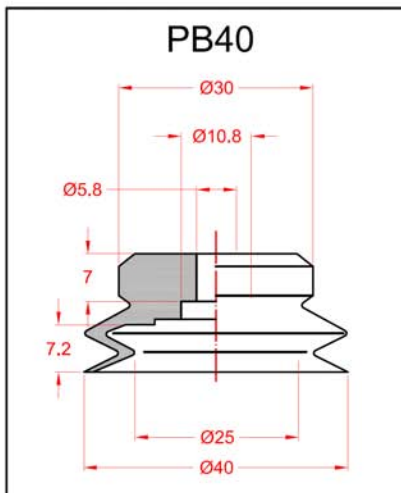
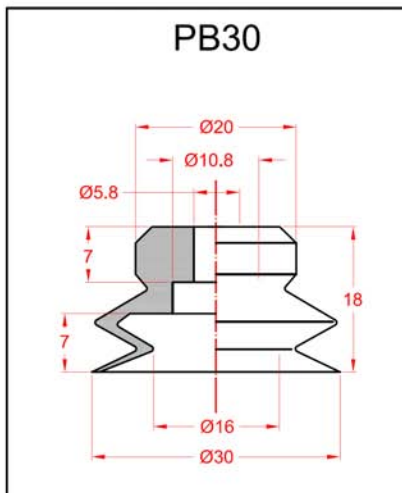
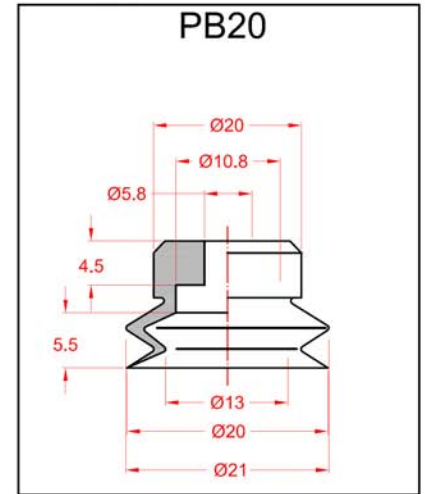
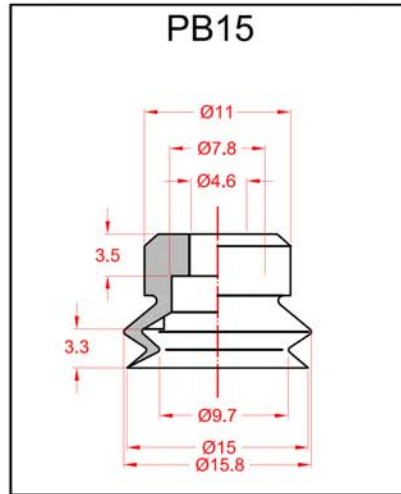
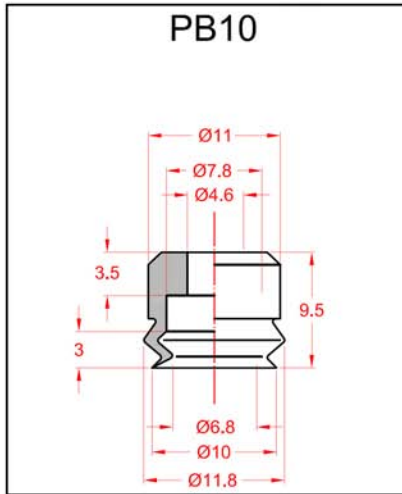
Model Number	Cup Model	ØA	B	C	Vacuum Connection
PAFS20	PA20	20	83	30	Ø4mm ID Tube
	PA30	30	85	30	
	PA40	40	84	30	
	PA50	50	85	30	

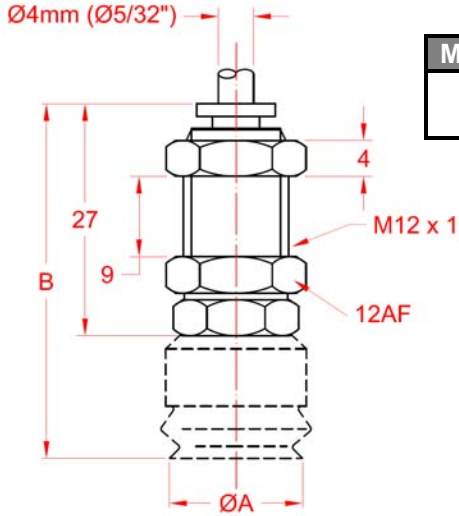
Actual Stroke – 15mm

The Vacuforce PB series of vacuum cups are a generic style single bellows cup similar in style to the Convum, PJG series. The cup can be connected to the machinery using the fittings shown on the following page. These cups are available in both Nitrile and Silicone rubber with a 60 and 40 Durometer hardness respectively.

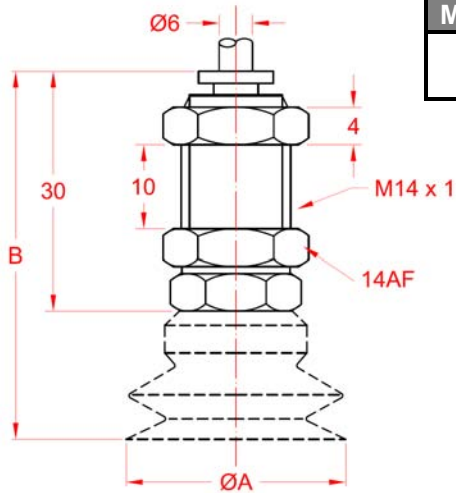
Part Number Matrix		
Series	Size	Material
PB	40	N or S

Material Codes	
N	S
Nitrile Rubber	Silicone Rubber

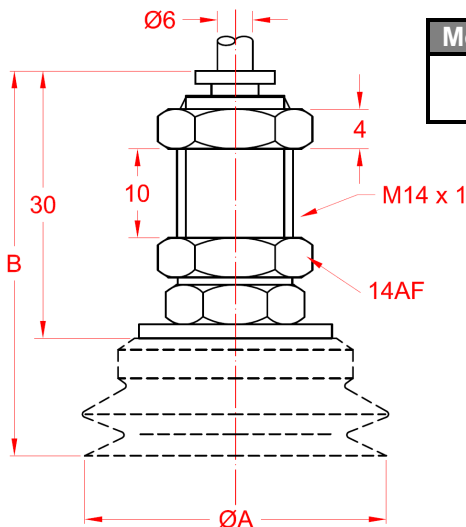




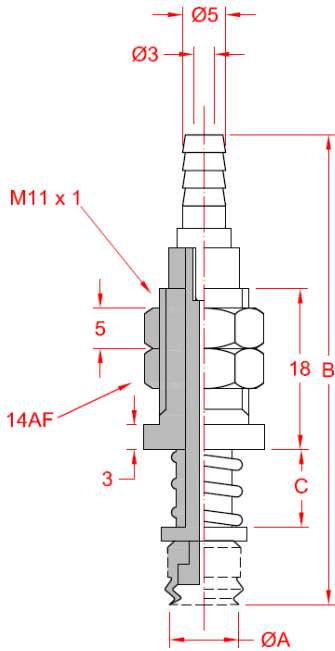
Model Number	Cup Model	ØA	B	Vacuum Connection
PAK10	PB10	10	36	Ø4mm OD Tube
	PB15	15	38	



Model Number	Cup Model	ØA	B	Vacuum Connection
PAK20	PB20	20	36	Ø6mm OD Tube
	PB30	30	38	

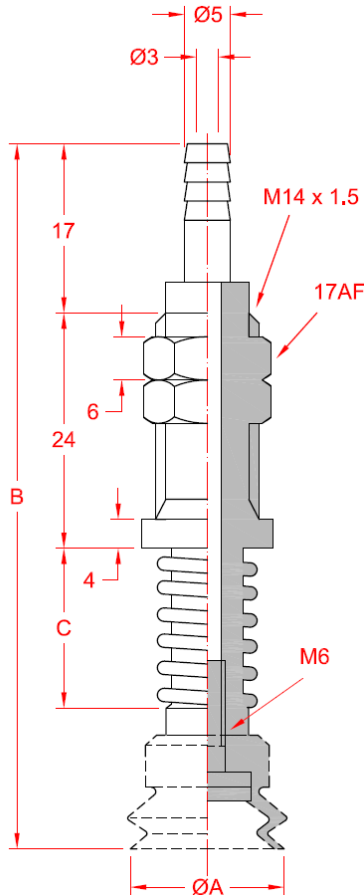


Model Number	Cup Model	ØA	B	Vacuum Connection
PAK40	PB40	40	48	Ø6mm OD Tube
	PB50	50	50	



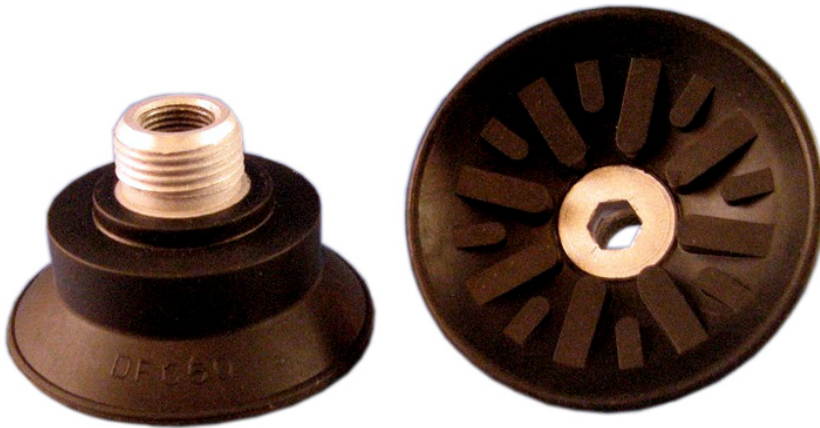
Model Number	Cup Model	$\text{Ø}A$	B	C	Vacuum Connection
PAFS10	PB10	10	56	20	Ø4mm OD Tube
	PB15	15	57	20	

Actual Stroke – 10mm



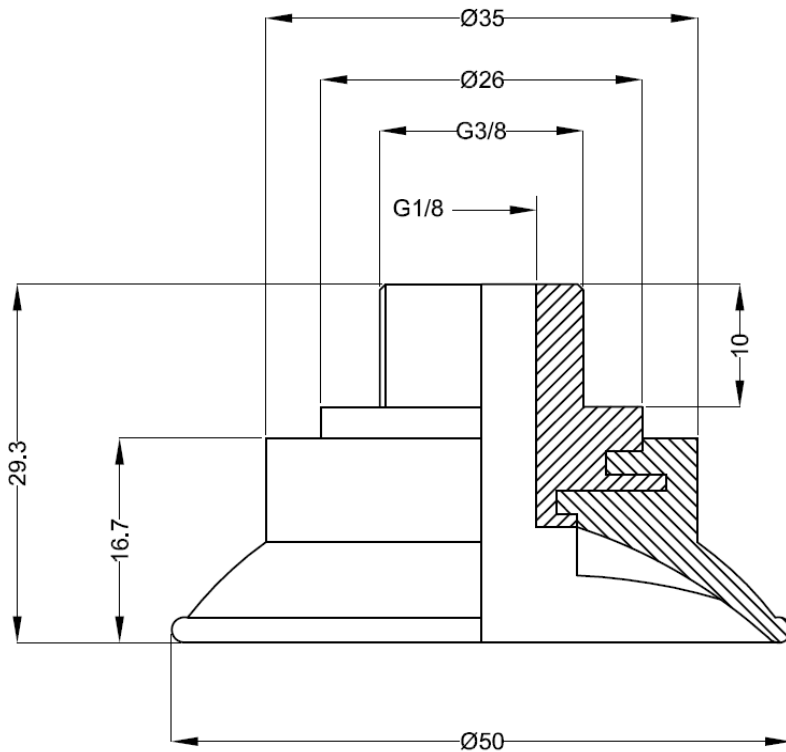
Model Number	Cup Model	$\text{Ø}A$	B	C	Vacuum Connection
PAFS20	PB20	20	69	30	Ø4mm ID Tube
	PB30	30	75	30	
	PB40	40	75	30	
	PB50	50	77	30	

Actual Stroke – 15mm



The Vacuforce VFFC50 vacuum cup has been developed to handle standard lifting applications such as steel plate handling, wood board, plastic sheets, marble, granite and other flat heavy surfaces. Bonded to a dual threaded fitting this vacuum cup is easily fixed to the machine support.

Offered in both Nitrile and Silicone rubber, this generic cup design is very popular in many industries.



Cup Models	Rubber Compound	Temperature Range	Vertical Lifting Force
VFFC50-3/8N	Nitrile Rubber	-40 to 230°F	34lbs @ 24" Hg
VFFC50-3/8S	Silicone Rubber	-40 to 400°F	34lbs @ 24" Hg



The Vacuforce oval vacuum cups are over molded on a metal support and are ideal for handling longer loads with restricted surface area such as shown below.



Part Number Matrix

VOC35x90 N – 38F

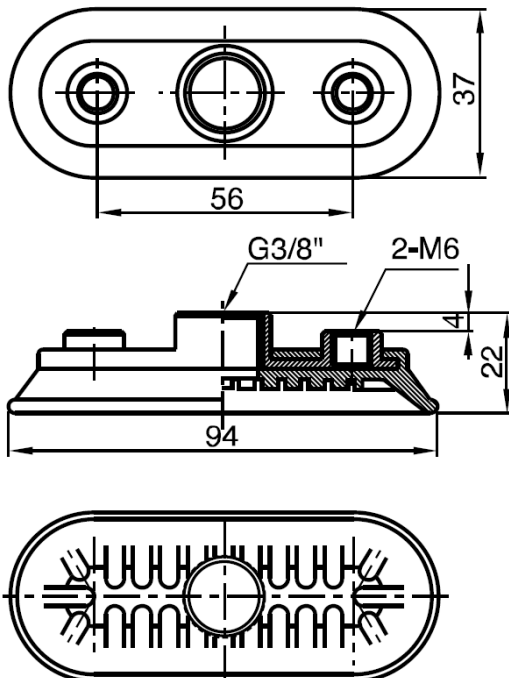
Width x Length
VOC35x90
VOC35x110
VOC60x140
VOC60x180

Material	
N	NBR
S	Silicone

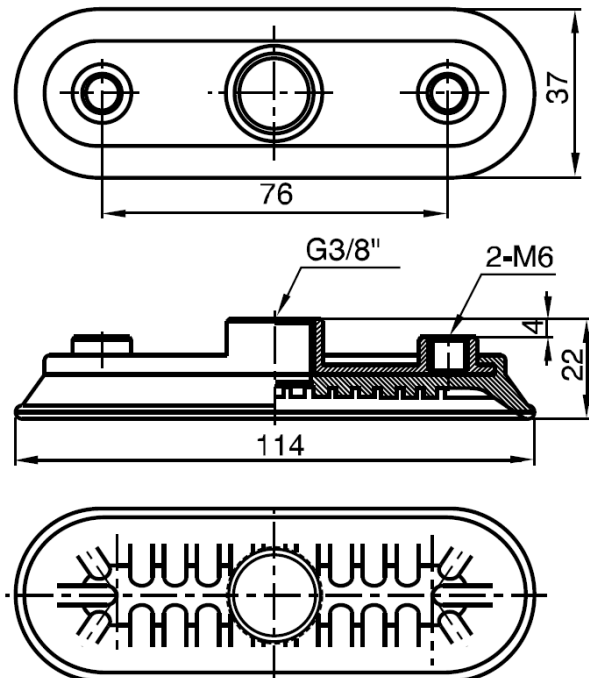
Connection Thread	
38F	G3/8 Female

Dimensions (mm)

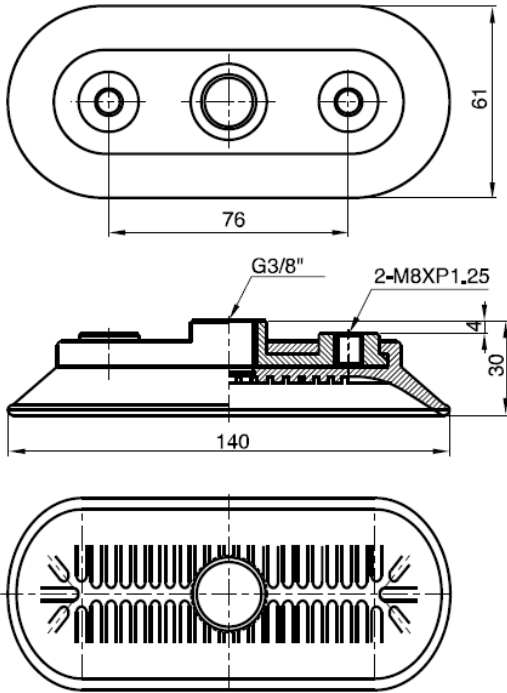
VOC35x90-38F



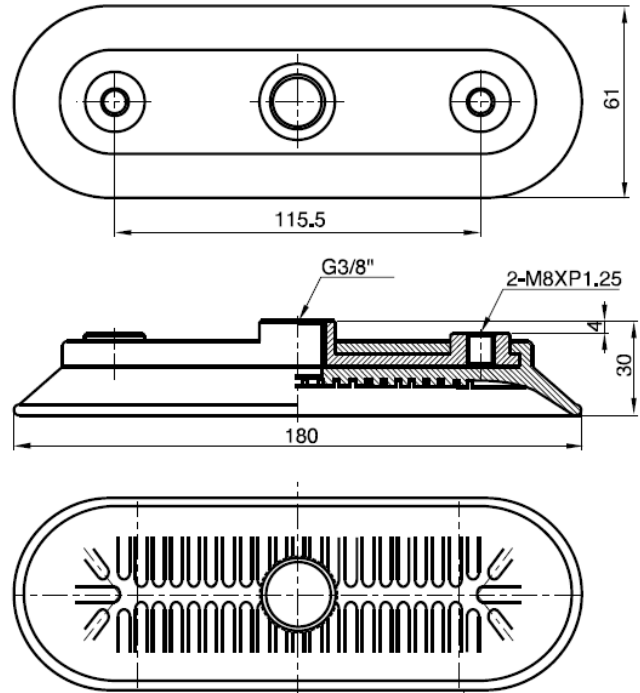
VOC35x110-38F



VOC60x140-38F



VOC60x180-38F





The Vacuforce EPDM foam vacuum cups are developed for handling very rough or coarse products such as concrete, rough sawn wood, marble and granite etc. The foam seals are available as a spare replacement part and are easily installed on the aluminum cup plate.



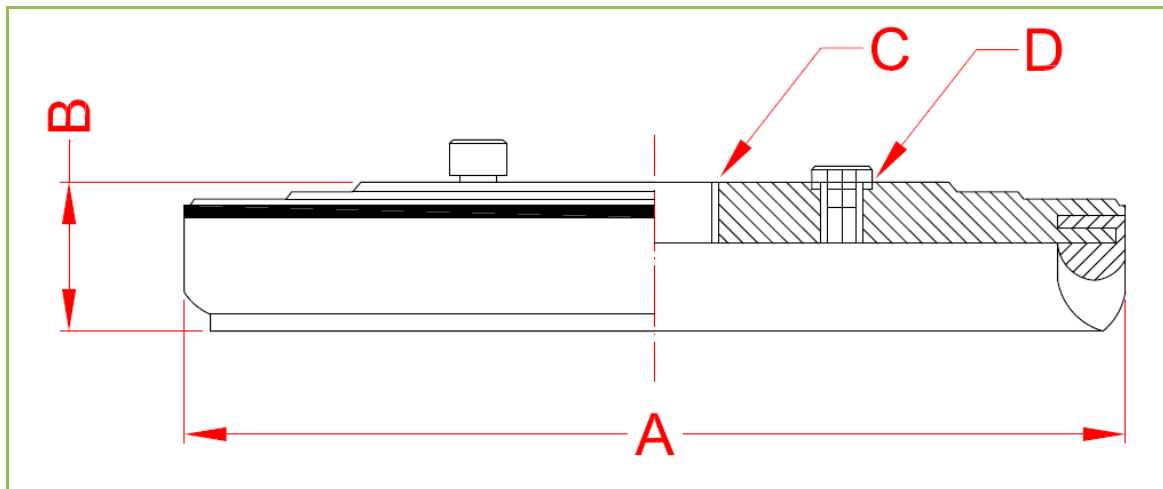
Part Number Matrix

VS200-E-12F

Diameter	
VS100	Ø100
VS150	Ø150
VS200	Ø200
VS300	Ø300
VS400	Ø400

Material	
E	EPDM

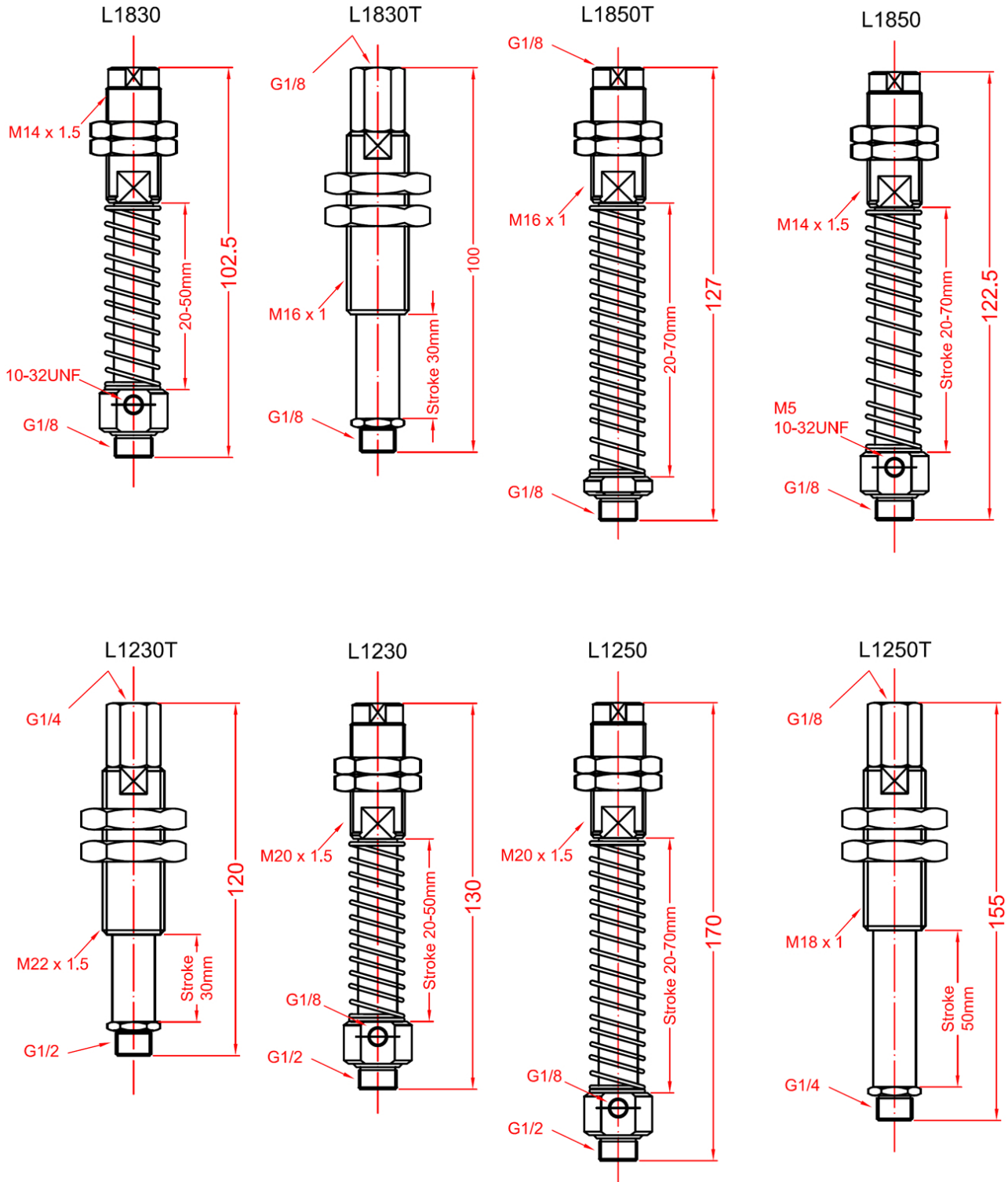
Connection Thread	
12F	VS100, VS150, VS200
34F	VS200, VS300, VS400



Model	A	B	C	D
VS300	107.5	19.5	G1/2	G1/8
VS300	157.5	19.5	G1/2	G1/8
VS200	215	34	G1/2, G3/4	G1/8
VS300	315	34	G3/4	G1/8

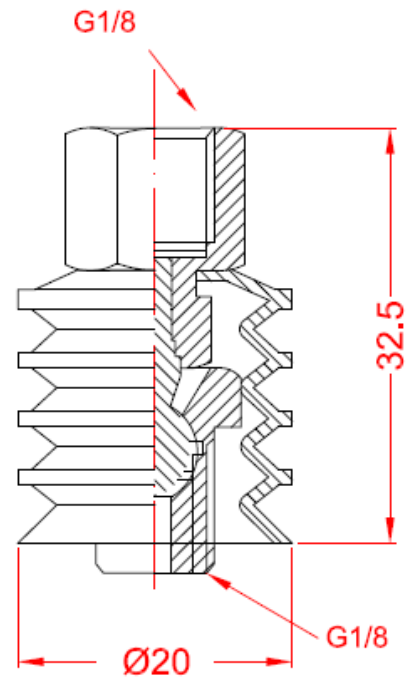
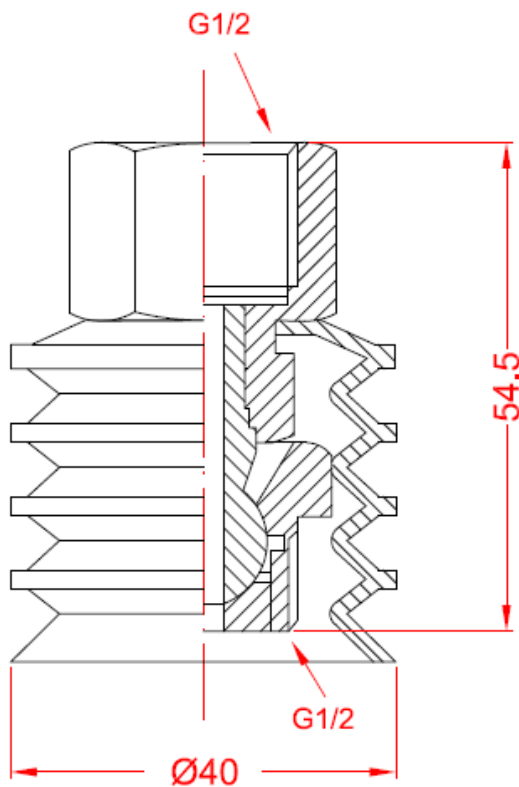
Level Compensators

The Vacuforce level compensators are manufactured from nickel plated brass and utilize stainless steel springs. Available with both internal and external spring mechanisms.



Articulated Ball Joints

Typically used with flat vacuum cups, these articulated ball joints allow the vacuum cup to seal against an angled surface. The vacuum flow path is through the centre of the ball joint and therefore this alignment product allows for a very compact installation.



Part Number	Thread Size	Maximum Load
BJ18	G1/8	25kg
BJ12	G1/2	50kg