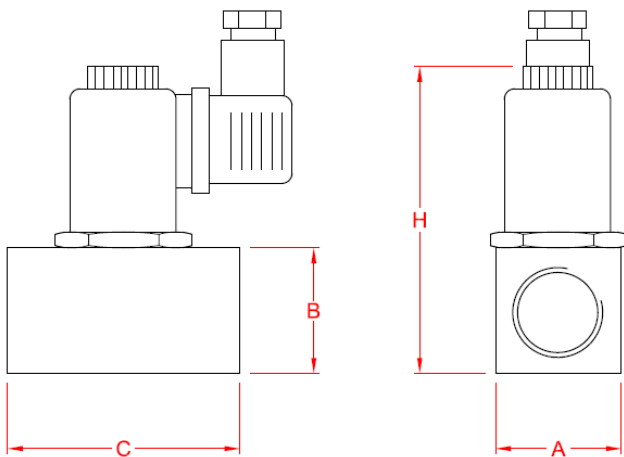




The Vacuforce direct acting vacuum valves have been developed for use in applications which require a full port vacuum flow without the need for an external air pilot such as is required with spool valves.

The direct acting poppet design offers the user a cycle rate of ≥ 10 cycles/sec with a choice of coils for different voltages.

Please note that the coil should be ordered separately selecting from the coil table below.



Model Number	Port Size	Exhaust Port Thread	Cycle Rate	Flow	Dimensions (mm)			
					A	B	C	H
VF070116	1/4NPT	G1/8	10/sec	3SCFM	25	25	44	67
VF070316	1/2NPT	G1/8	10/sec	6SCFM	35	35	65	79

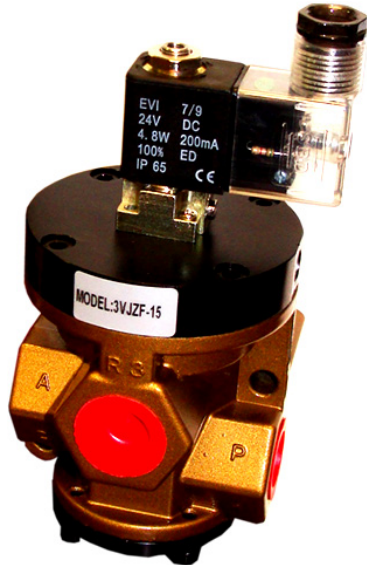
Coil Selection (must be ordered separately)

Voltage	Coil Part Number
24VDC	SB486-24VDC
110VAC	SB486-110VAC

Coil Connector is a DIN43650 Form A type which includes an LED for Power On Indication



3VJZF – Solenoid
(external pilot)



3AJZF – Pneumatic Pilot



The JZF series of vacuum valves have been developed to offer the end user a high vacuum flow solution when using larger vacuum pumps or generators.

With port sizes of either 1/2NPT or 1NPT, these vacuum valves are far superior in reaction time and cycles per second than traditional actuated ball valve type models normally used in these applications.

Manufactured in anodized cast aluminum with Nitrile rubber seals but available with special seal materials on request, the JZF series stands alone in its performance and price bracket for the vacuum user.

The two types available are 3VJZF (solenoid actuated with pneumatic pilot) and 3AJZF which is pneumatic pilot only.

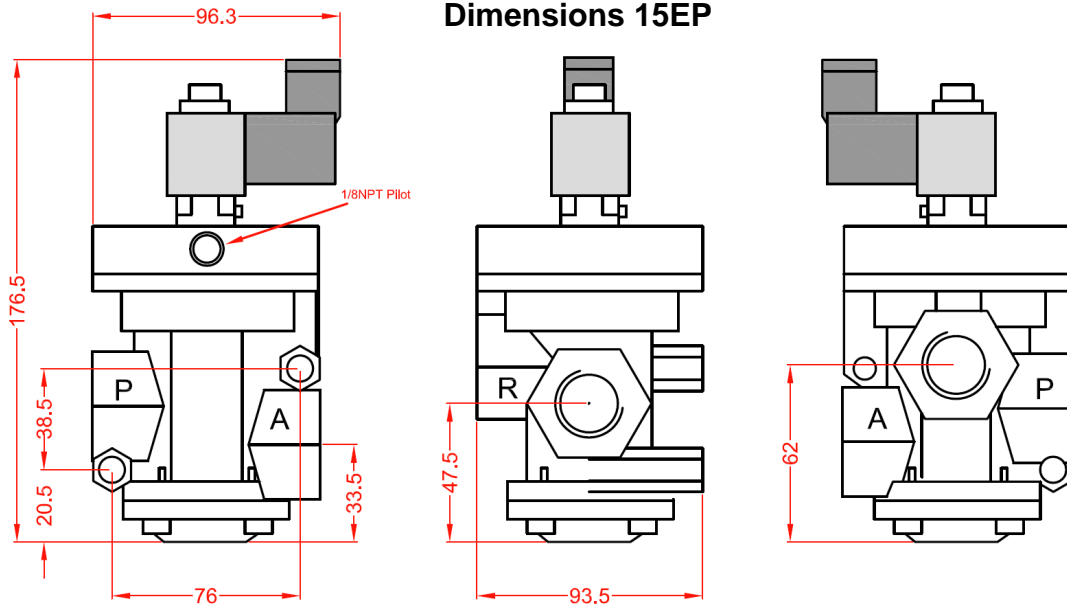
Coils for the solenoid valves (3VJZF) should be ordered separately and are available as follows:

Voltage	Coil and DIN
24VDC	210DIN24VDC
110VAC	210DIN110VAC

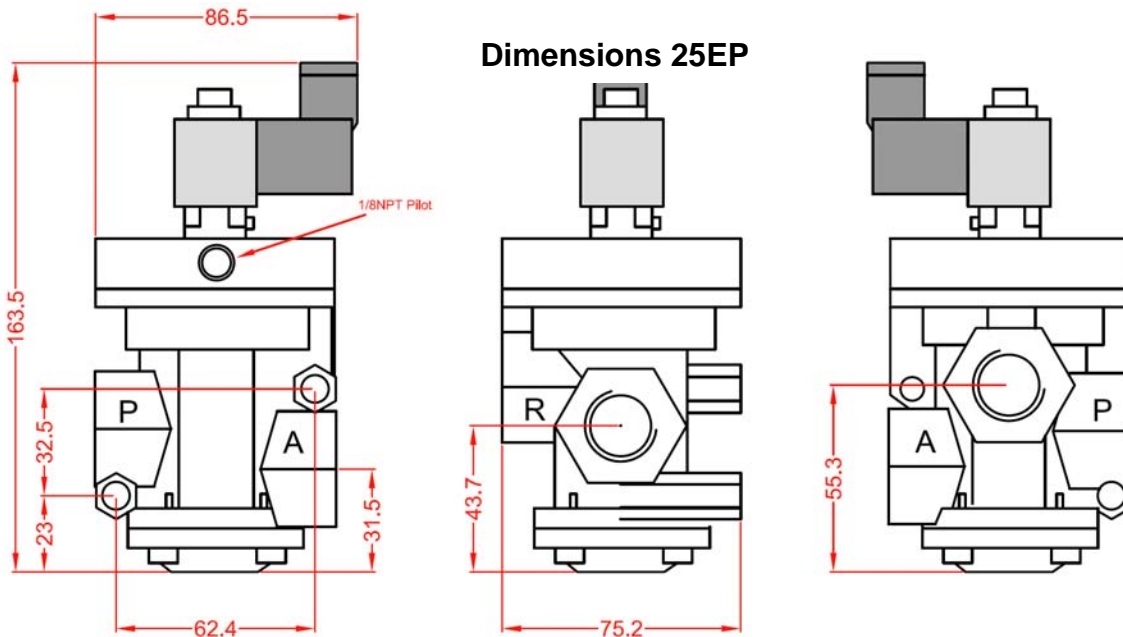


Model Number	3VJZF-15EP	3VJZF-25EP
Working Medium	Air	
Operation	Pilot Assisted, Solenoid Control	
Orifice	15mm	25mm
Port Size	1/2NPT	1NPT
Working Pressure	0-27"Hg	
Body Material	Die Cast Aluminum	
Seal Material	Nitrile Rubber	
Operating Temperature	-5°C to +70°C	
Flow Rate	28SCFM	71SCFM
Pilot Port	1/8NPT	

Dimensions 15EP

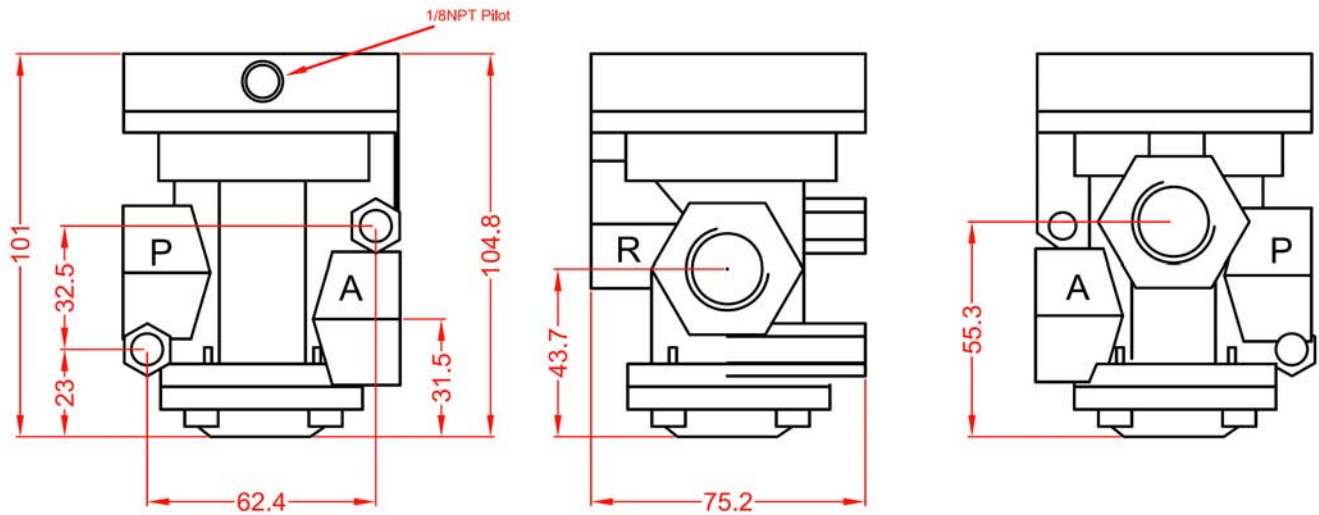


Dimensions 25EP



Model Number	3AJZF-15EP	3AJZF-25EP
Working Medium	Air	
Operation	Pilot Assisted	
Orifice	15mm	25mm
Port Size	1/2NPT	1NPT
Working Pressure	0-27"Hg	
Body Material	Die Cast Aluminum	
Seal Material	Nitrile Rubber	
Operating Temperature	-5°C to +70°C	
Flow Rate	28SCFM	71SCFM
Pilot Port	1/8NPT	

Dimensions 15EP



Dimensions 25EP

